

CYLINDRICAL

FUSE LINKS & FUSE HOLDERS/BASES



PMX

industrial modular fuse holders
for cylindrical fuse links

PMX 14x51



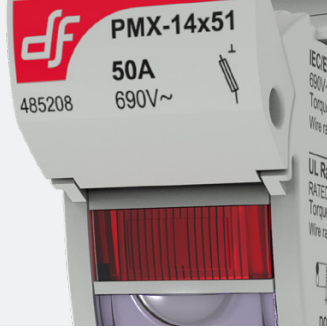
8x32

10x38

14x51

22x58

PROTECTING THE WORLD



RATED CURRENT
50A

RATED VOLTAGE
690V AC
750V DC

MAXIMUM POWER DISSIPATION
6W

PROTECTION INDEX
IP20

STANDARDS

IEC/EN 60269-1
IEC/EN 60269-2
UL 4248-1
UL 486E
CSA C22.2 N° 4248-1
CSA 22.2 N° 65



Industrial modular fuse holders for cylindrical fuse links

Modular fuse holder for cylindrical fuse link size 10x38 according IEC/EN 60269 standard.

Compact design, with reduced dimensions.

Ventilation zones optimized for a better heat dissipation.

Manufactured with a high quality materials

- Silver plated copper contacts.
- Plastic materials with high temperature resistance and self-extinguishable.
- All the materials are according to the European Directive RoHS.



Extended range of accessories is available.

UL certification (File E193529).

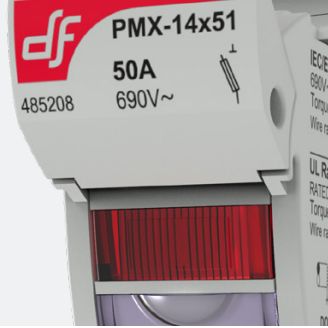


Accessories

REFERENCE	DESCRIPTION	PACKING Uni /BOX
480005	PIN FOR MULTIPOLE ASSEMBLY	12/300
485356	HANDLE TIES FOR MULTIPOLE ASSEMBLY	12/300
485357	TIES FOR MICROSWITCH ASSEMBLY	12/300
485258	LOCK SUPPORT	5
485259	1P MICRO ONLY FUSION	5
485260	3P MICRO ONLY FUSION	2
485261	3P - DOUBLE MICRO ONLY FUSION	2
485262	MICRO 1P EXTENSION ONLY FUSION	5
485263	MICRO 3P EXTENSION ONLY FUSION	2
485264	FUSING INDICATOR REPLACEMENT 120/690V AC	3
485265	FUSING INDICATOR REPLACEMENT 24V DC	3
485266	SPECIAL IP20 PROTECTION ACCESSORY	12
485656	SCREWS PROTECTION ACCESSORY	20
485271	SPECIAL SCREW CONNECTION ACCESSORY	12
485272	PRE-BREAKING MODULE	6/90

Range

U _n	REFERENCE		POLES	MODULES	PACKING Uni /BOX
	WITHOUT INDICATOR	WITH INDICATOR			
690V AC 750V DC	485201 c	485208 c	1P	1,5	6/90
	485202 c	-	N	1,5	6/90
	485203 c	485209 c	1P + N	3	3/45
	485204 c	485210 c	2P	3	3/45
	485205 c	485211 c	3P	4,5	2/30
	485206 c	485212 c	3P + N	6	1/18
	485207 c	485213 c	4P	6	1/18
24V DC	-	485214 c	1P	1,5	6/90
	-	485215 c	1P + N	3	3/45
	-	485216 c	2P	3	3/45
690V AC 750V DC	WITH MICROSWITCH				
	PREBREAKING FUSING - PRESENCE	ONLY FUSION			
	485220 c	485226 c	1P	1,5	6/90
	485221 c	485227 c	1P + N	3	3/45
	485222 c	485228 c	2P	3	3/45
	485223 c	485229 c	3P	4,5	2/30
	485224 c	485230 c	3P + N	6	1/18
485225 c	485231 c	4P	6	1/18	

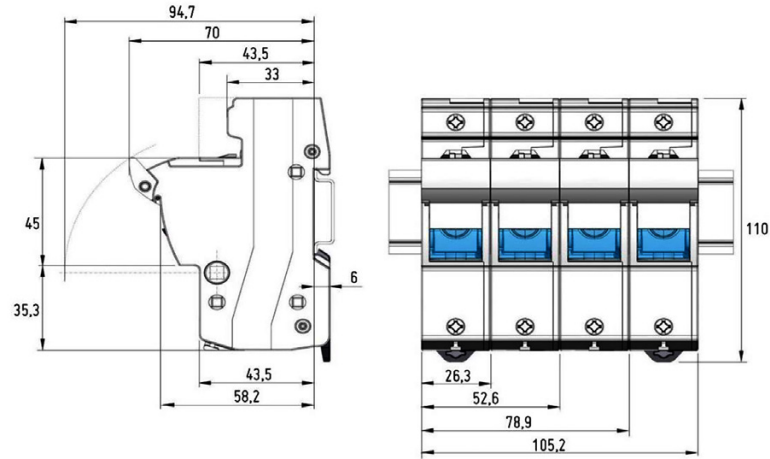


Technical data

Rated current	50A	
Rated voltage	690V AC 750V DC IEC 750V AC UL-CSA	
Rated power dissipation	5W	
Maximum power dissipation	6W	
Power dissipation per pole	80% $I_n > 0,52W$ 100% $I_n > 0,88W$	
Utilization category as per EN 60947-3	AC-22B 500V AC-21B 690V	
Pollution degree	3	
Protection index *	IP20	
Rated impulse withstand voltage	6kV U imp	
Ambient temperature of service	-20°C ... 70°C	
Storage temperature	-40°C ... 80°C	
Derating by number of poles	POLES	I_{MAX}
	1 ... 4	I_n
	5 ... 6	0,8 x I_n
	7 ... 9	0,7 x I_n
	≥ 10	0,6 x I_n
Correction of the admissible current in function of the temperature	20° C	1
	30° C	0,95
	40° C	0,90
	50° C	0,80
	60° C	0,70
	70° C	0,60

* For wires of section $\leq 10\text{mm}^2$ is necessary the use of the accessory to guarantee IP20 in clamps zone. ► **FIG. 5**

Dimensions



Weight

	STANDARD WITH INDICATOR	WITH MICROSWITCH
1P	101gr	107gr
N	110gr	-
1P + N	211gr	217gr
2P	202gr	214gr
3P	303gr	321gr
3P + N	413gr	431gr
4P	404gr	428gr

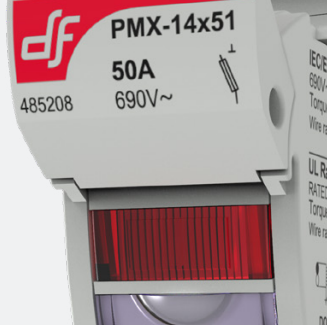
Weight without packing

Standards

IEC/EN 60269-1
IEC/EN 60269-2
UL4248-1 Fuse holders
UL486E Wiring terminals
CSA C22.2 N° 4248-1 Fuse holder assemblies
CSA 22.2 N° 65 Wire connectors

Certifications





Application characteristics

For mounting on DIN/EN standard rail DIN 46277/1-3 (EN50022)
Clip fixation with 2 positions

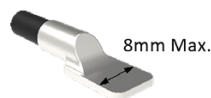
Connecting wire
Copper wires only

WIRES	METRIC	AWG	WIRING
1	1,5...35mm ² Solid	8....16 AWG Solid	<p>14mm ±1</p>
	1,5...25mm ² Stranded	6....16 AWG Stranded	
2 Same cross section and type	1,5...16mm ² Solid	6....16 AWG Solid / Stranded	
	1,5...10mm ² Stranded		

Wire-end terminals

The use of wire-end terminals may allow to increase the connecting wire section.

Wire-end terminals recommended mounting:



The use of wire-end terminals could not guarantee the IP20 protection degree.

Ferrules

It's recommended use of ferrules in wires with section ≤ 2,5mm²



The product is delivered with the terminals opened and ready to connect

Accessories

FIG. 1 | Multipolar assembly

Standard system by DF, 3 clips and 1 pin for each union between poles

- 480005** PINS FOR MULTIPOLE ASSE
- 485356** HANDLE TIES FOR MULTIPOLE ASSEMBLY
- 485357** TIES FOR MICROSWITCHES ASSEMBLY

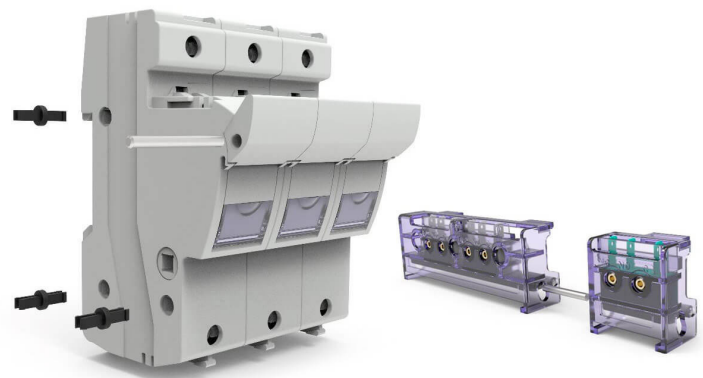
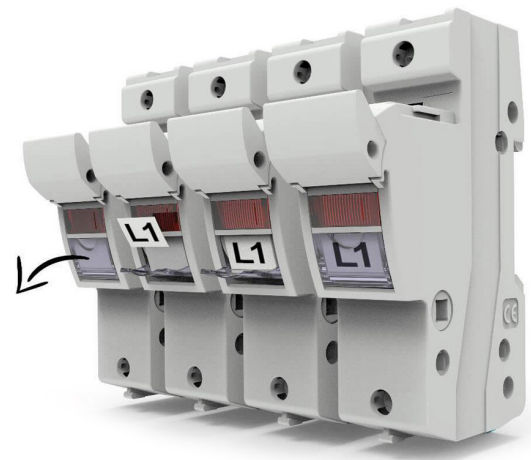


FIG. 2 | Identification by label

Open the label holder part with the fuse holder closed, put on the label and close it



Label measures **16x10mm**

Tightening torque on terminals 2,5...3 Nm
22...27 lb.in

Screws with a combined head SLOT + PZ2

Multipolar assembly ► FIG. 1

Fuse holders with fuse indicator
NEON 230...690V AC
LED 12...24V DC
30...60V DC

Fuse holders with microswitch 5A - 250V
Both versions delivered with 3 pre-insulated terminals (fast-on 2,8 x 0,5)

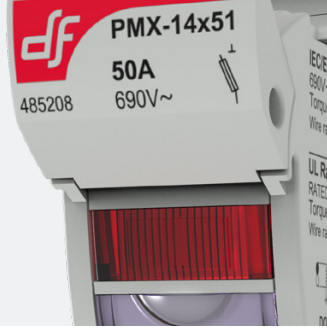
NC(Normally closed) NO(Normally Open) contacts
1. Fusing + pre-breaking + fuse link detection
2. Only fusion
- Only detection of fuse link operation
- Also as accessory mounted on standard fuse holders

► FIG. 3

Special zone for sealing 1,5 mm² wire

Label holder for a better circuit identification ► FIG. 2
Suitable size for label: 16x10 mm

Accessory available to lock the fuse holder by a padlock ► FIG. 4
(max. 3 padlocks of Ø 3mm)

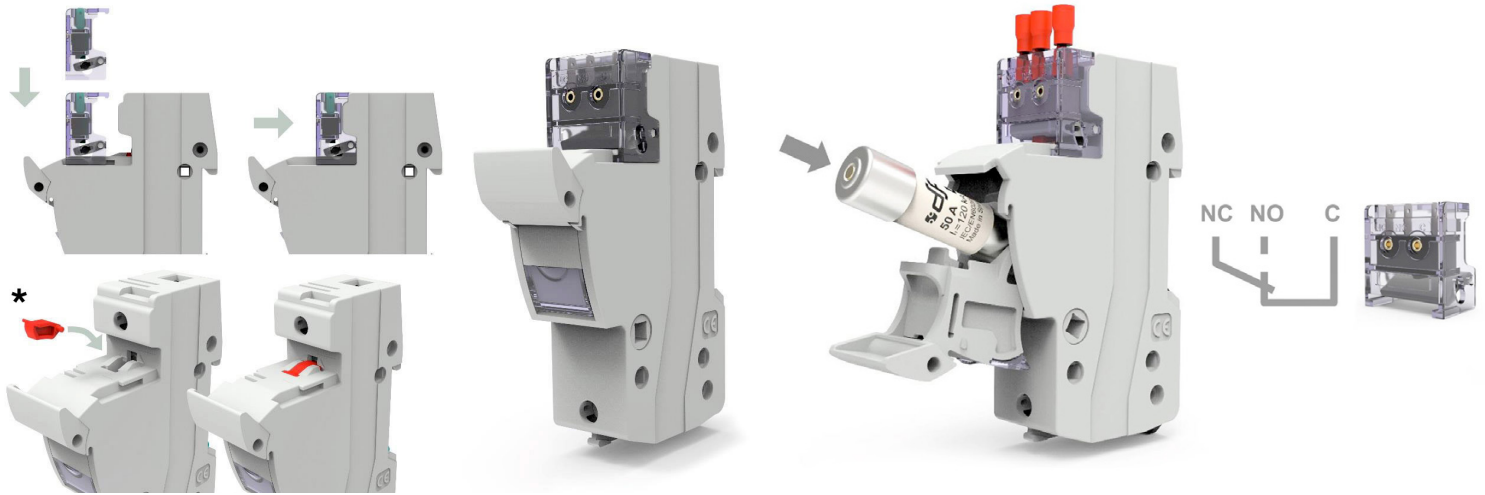


Accessories

FIG. 3 | Microswitch mounting

Put on the microswitch on the guides, and push in horizontal movement to the final position.

* For Only Fusion accessory, first mount the lifter in his place.



- 485259** 1P MICRO ONLY FUSION
- 485260** 3P MICRO ONLY FUSION
- 485261** 3P - DOUBLE MICRO ONLY FUSION
- 485262** 1P EXTENSION ONLY FUSION
- 485263** 3P EXTENSION ONLY FUSION

FIG. 3.1 | Extension microswitch accessory

Number of multipolar assemblies allowed with extension accessory microswitch unipolar: **max 2**

485262 MICRO 1P EXTENSION ONLY FUSION

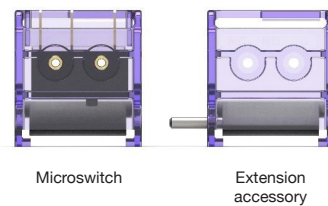


Number of multipolar assemblies allowed with extension accessory microswitch tripolar: **max 1**

485263 MICRO 3P EXTENSION ONLY FUSION

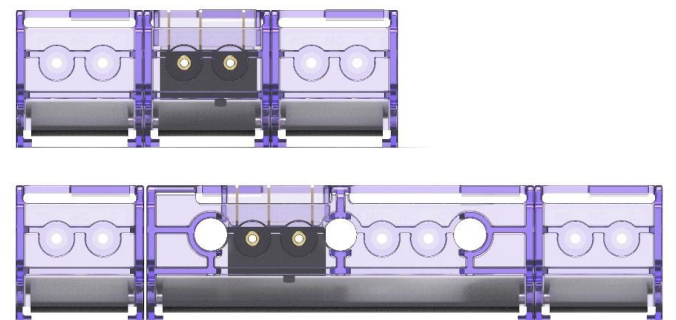


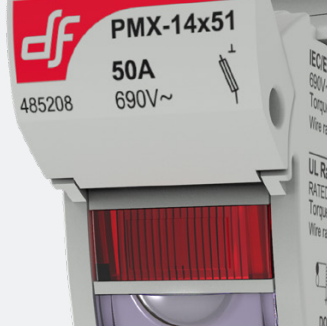
Accessory assembly



2 Accessories assembly

Always one to each side of the microswitch





Accessories

FIG. 4 | Locking means a padlock

To avoid the operation and connection when the fuse holder is open, put on the accessory "Padlock support" sliding it for the guides, and covering the fuse link zone.
(It's possible the use with or without fuse link)

Introduce the padlock trough the symmetrical holes and close it.

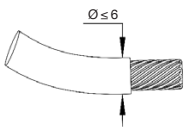
485258 LOCK SUPPORT



FIG. 5 | Special IP20 protection

The accessory must be positioned in the wire entries, if it's necessary to achieve the IP20 degree of protection with thin wires

485266 SPECIAL IP20 PROTECTION ACCESSORY



To obtain an IP20 rating with cable protection of $\varnothing \leq 6$ mm, use the special protection accessory

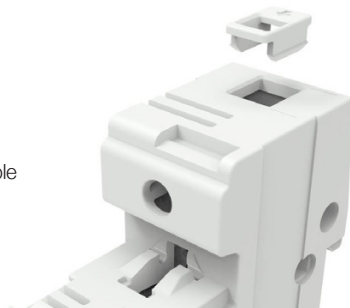
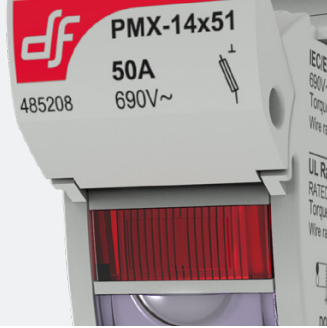


FIG. 6 | Screws protection accessory

Protection accessory to avoid the screws manipulation and improve the protection degree

485656 SCREWS PROTECTION ACCESSORY

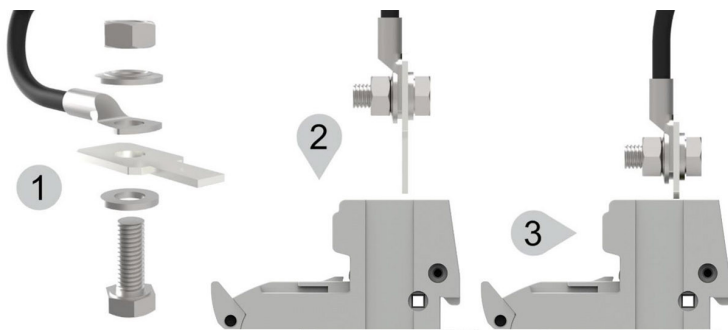




Accessories

FIG. 8 | Special screw connection accessory

485271 SPECIAL SCREW CONNECTION ACCESSORY



1

Mount the accessory
in the wire (6Nm)

2

Wiring in the fuse holder

3

Apply tightening torque
(2,5...3 Nm)

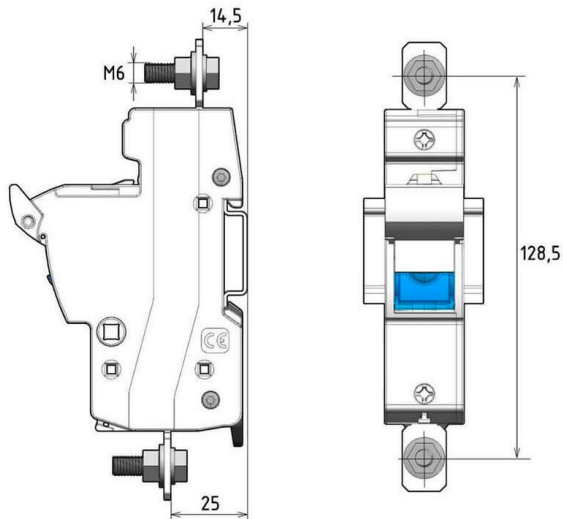


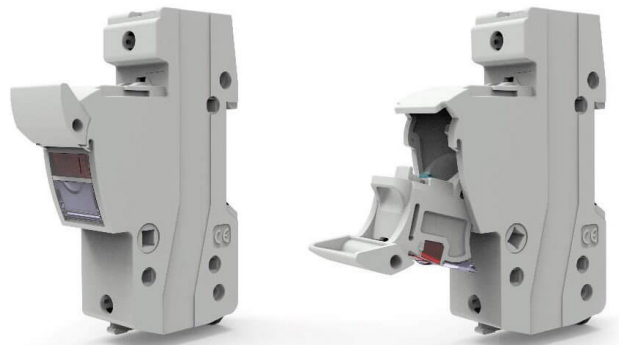
FIG. 9 | Fusing indicator replacement instructions

485264 FUSING NEON INDICATOR REPLACEMENT 120/690V AC

485265 FUSING INDICATOR REPLACEMENT 24 VDC

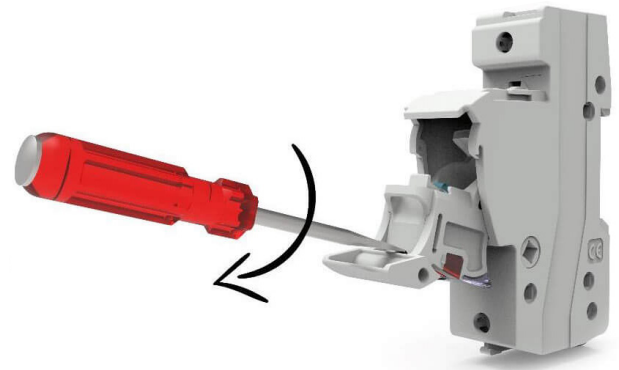
1

Open the fuse holder



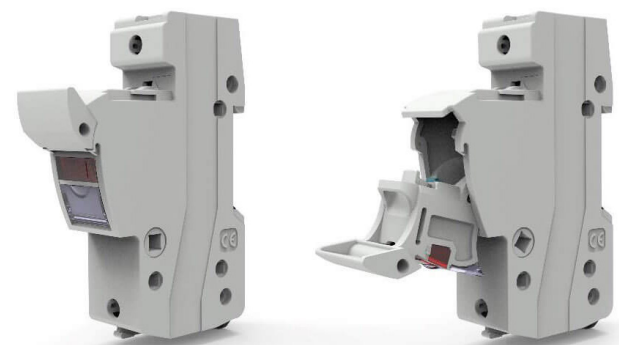
2

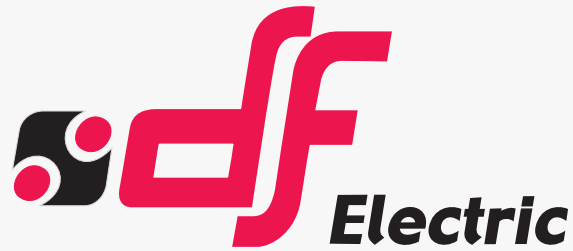
Using a flat screwdriver, remove the
cover with a slight rotation of the tool



3

Replace the fusing indicator. Enter the
cover on the handle with a slight angle





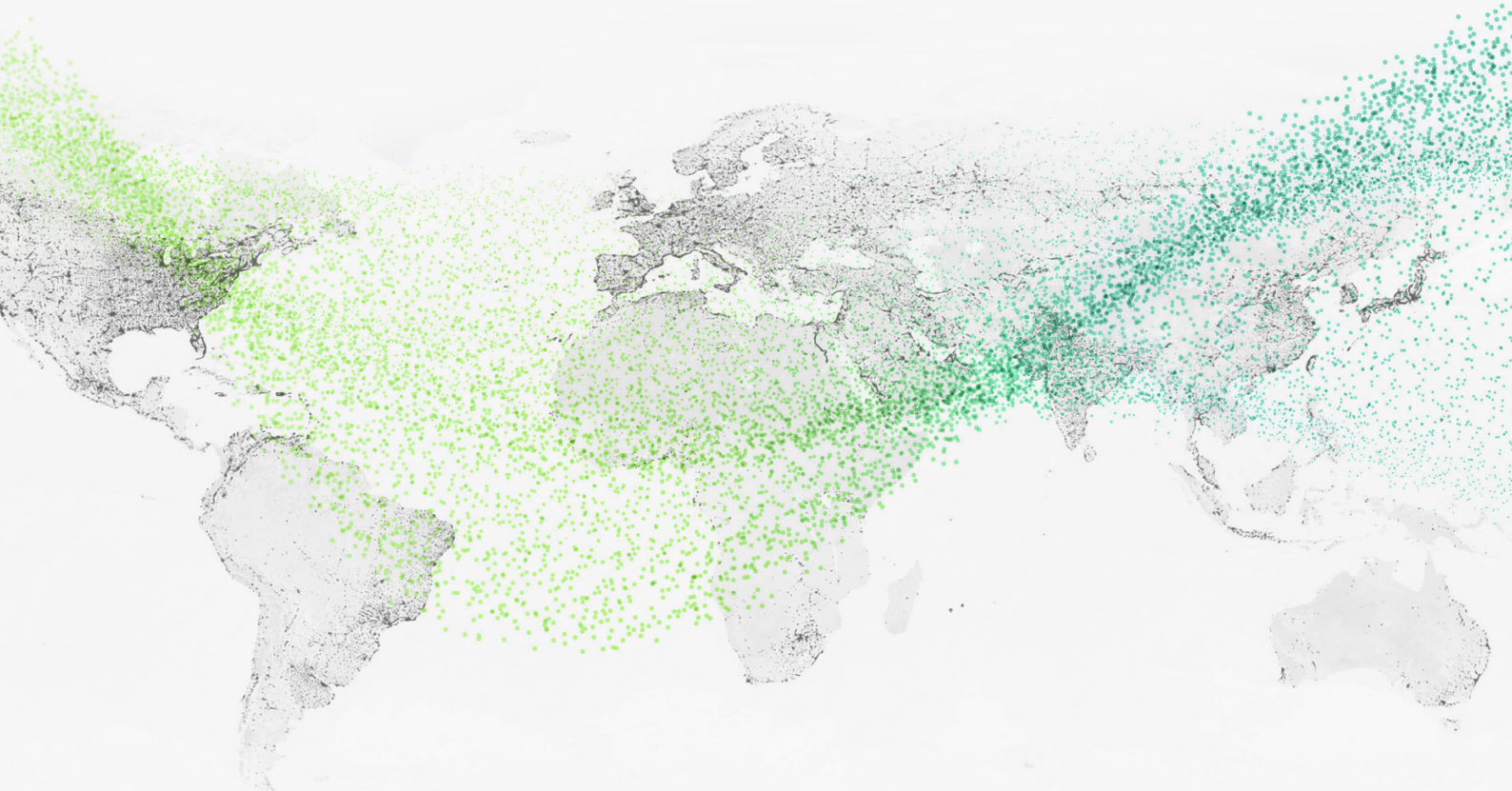
PROTECTING THE WORLD



HEAD OFFICE AND FACTORY
 SILICI, 67-69
 08940 CORNELLA DE LLOBREGAT
 BARCELONA · SPAIN
 Tel. +34 93 377 85 85
 Fax +34 93 377 82 82

INTERNATIONAL SALES
 Tel. +34 93 475 08 64
 Fax +34 93 480 07 75
 export@dfelectric.es

NATIONAL SALES
 Tel. 93 475 08 64
 Fax 93 480 07 76
 comercial@dfelectric.es



dfelectric.es



According to the waste of electrical and electronic equipment directive, electrical material should not be part of the usual waste. This symbol alerts users that these products should be recycled according to local environmental waste disposal regulations.



The "electro technical expert" logo marked on the products included in this data sheet indicates that the installation of these products must be carried out by expert personnel with specialized knowledge.



To prevent electrical hazards, carry out the installation without voltage.



Safety notice
 Please capture the following QR code and read our safety notice carefully before installing our products.



The data reflected in this technical record are subject to the correct installation of the product in accordance with manufacturer's instructions, relevant installation standards and professional practices, maintained and used in applications for which they were made.

The products described in this document have been designed, developed and tested in accordance with specific standard. They are considered components that are integrated as part of installation, machine or equipment. The correct general operation of the referred product is responsibility of the manufacturer of the installation, machine or equipment.

DF ELECTRIC cannot guarantee the characteristics of an installation, machine or equipment that has been designed by a third party. Once a product has been selected, the user must verify that it is appropriate for its application, through the verifications and/or tests that it deems appropriate.

DF ELECTRIC retains the right to change the dimensions, specifications, materials or design of its products at any time with or without notice.