



# CYLINDRICAL

FUSE LINKS & FUSE HOLDERS/BASES

## PMX

industrial modular fuse holders  
 for cylindrical fuse links

PMX

22x58



8x32

10x38

14x51

22x58

## PROTECTING THE WORLD





RATED CURRENT  
100A

RATED VOLTAGE  
690V AC  
750V DC

MAXIMUM POWER DISSIPATION  
12W

PROTECTION INDEX  
IP20

STANDARDS

IEC/EN 60269-1  
IEC/EN 60269-2  
UL 4248-1  
UL 486E  
CSA C22.2 N° 4248-1  
CSA 22.2 N° 65



## Industrial modular fuse holders for cylindrical fuse links

Modular fuse holder for cylindrical fuse link size 10x38 according IEC/EN 60269 standard.

Compact design, with reduced dimensions.

Ventilation zones optimized for a better heat dissipation.

Manufactured with a high quality materials

- Silver plated copper contacts.
- Plastic materials with high temperature resistance and self-extinguishable.
- All the materials are according to the European Directive RoHS.



Extended range of accessories is available.

UL certification (File E193529).

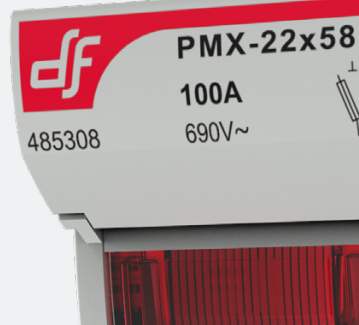


## Accessories

REFERENCE	DESCRIPTION	PACKING Uni /BOX
480005	PIN FOR MULTIPOLE ASSEMBLY	12/300
485356	HANDLE TIES FOR MULTIPOLE ASSEMBLY	12/300
485357	TIES FOR MICROSWITCH ASSEMBLY	12/300
485358	LOCK SUPPORT	5
485359	1P MICRO ONLY FUSION	5
485360	3P MICRO ONLY FUSION	2
485361	3P - DOUBLE MICRO ONLY FUSION	2
485362	MICRO 1P EXTENSION ONLY FUSION	5
485363	MICRO 3P EXTENSION ONLY FUSION	2
485364	FUSING INDICATOR REPLACEMENT 120/690V AC	3
485365	FUSING INDICATOR REPLACEMENT 24V DC	3
485366	SPECIAL IP20 PROTECTION ACCESSORY	12
485367	SPECIAL SCREW CONNECTION ACCESSORY	12
485371	SCREW PROTECTION ACCESSORY	20
485372	PRE-BREAKING MODULE	6/48

## Range

U <sub>n</sub>	REFERENCE		POLES	MODULES	PACKING Uni /BOX
	WITHOUT INDICATOR	WITH INDICATOR			
690V AC 750V DC	485301 c	485308 c	1P	2	6/48
	485302 c	-	N	2	6/48
	485303 c	485309 c	1P + N	4	3/24
	485304 c	485310 c	2P	4	3/24
	485305 c	485311 c	3P	6	2/16
	485306 c	485312 c	3P + N	8	1/12
	485307 c	485313 c	4P	8	1/12
24V DC	-	485314 c	1P	2	6/48
	-	485315 c	1P + N	4	3/24
	-	485316 c	2P	4	3/24
690V AC 750V DC	WITH MICROSWITCH				
	PREBREAKING FUSING - PRESENCE	ONLY FUSION			
	485320 c	485326 c	1P	2	6/48
	485321 c	485327 c	1P + N	4	3/24
	485322 c	485328 c	2P	4	3/24
	485323 c	485329 c	3P	6	2/16
	485324 c	485330 c	3P + N	8	1/12
485325 c	485331 c	4P	8	1/12	



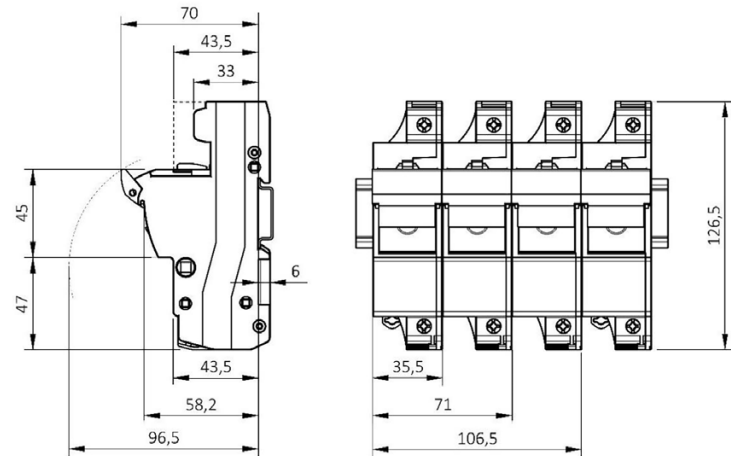
## Technical data

Rated current *	100A	
Rated voltage	690V AC   750V DC <sup>IEC</sup> 750V AC <sup>UL-CSA</sup>	
Rated power dissipation	9,5W	
Maximum power dissipation	12W	
Power dissipation per pole	80% I <sub>n</sub> > 1,38W 100% I <sub>n</sub> > 2,18W	
Utilization category as per EN 60947-3	AC-21B <sup>690V</sup>	
Pollution degree	3	
Protection index **	IP20	
Rated impulse withstand voltage	6kV U <sub>imp</sub>	
Ambient temperature of service	-20°C ... 70°C	
Storage temperature	-40°C ... 80°C	
Derating by number of poles	<b>POLES</b>	<b>I<sub>MAX</sub></b>
	1 ... 4	I <sub>n</sub>
	5 ... 6	0,8 x I <sub>n</sub>
	7 ... 9	0,7 x I <sub>n</sub>
	≥ 10	0,6 x I <sub>n</sub>
Correction of the admissible current in function of the temperature	20° C	1
	30° C	0,95
	40° C	0,90
	50° C	0,80
	60° C	0,70
	70° C	0,60

\* Accept 125A fuse links

\*\* For wires of section ≤ 10mm<sup>2</sup> is necessary the use of the accessory to guarantee IP20 in clamps zone. ► **FIG. 5**

## Dimensions



## Weight

	STANDARD   WITH INDICATOR	WITH MICROSWITCH
<b>1P</b>	155gr	165gr
<b>N</b>	170gr	-
<b>1P + N</b>	325gr	335gr
<b>2P</b>	310gr	330gr
<b>3P</b>	465gr	495gr
<b>3P + N</b>	635gr	665gr
<b>4P</b>	620gr	660gr

Weight without packing

## Standards

IEC/EN 60269-1

IEC/EN 60269-2

UL4248-1 Fuse holders

UL486E Wiring terminals

CSA C22.2 N° 4248-1 Fuse holder assemblies

CSA 22.2 N° 65 Wire connectors

## Certifications





## Application characteristics

For mounting on DIN/EN standard rail

DIN 46277/1-3 (EN50022)  
Clip fixation with 2 positions

Connecting wire  
Copper wires only

WIRES	METRIC	AWG	WIRING
1	1,5...50mm <sup>2</sup> Solid	1.....16 AWG Solid	
	1,5...35mm <sup>2</sup> Stranded	2.....16 AWG Stranded	
2 Same cross section and type	1,5...16mm <sup>2</sup> Solid	6.....16 AWG Solid / Stranded	
	1,5...10mm <sup>2</sup> Stranded		

### Wire-end terminals

The use of wire-end terminals may allow to increase the connecting wire section.

Wire-end terminals recommended mounting:



The use of wire-end terminals could not guarantee the IP20 protection degree.

### Ferrules

It's recommended use of ferrules in wires with section ≤ 2,5mm<sup>2</sup>



The product is delivered with the terminals opened and ready to connect

## Accessories

FIG. 1 | Multipolar assembly

Standard system by DF, 3 clips and 1 pin for each union between poles

- 480005** PINS FOR MULTIPOLE ASSE
- 485356** HANDLE TIES FOR MULTIPOLE ASSEMBLY
- 485357** TIES FOR MICROSWITCHES ASSEMBLY

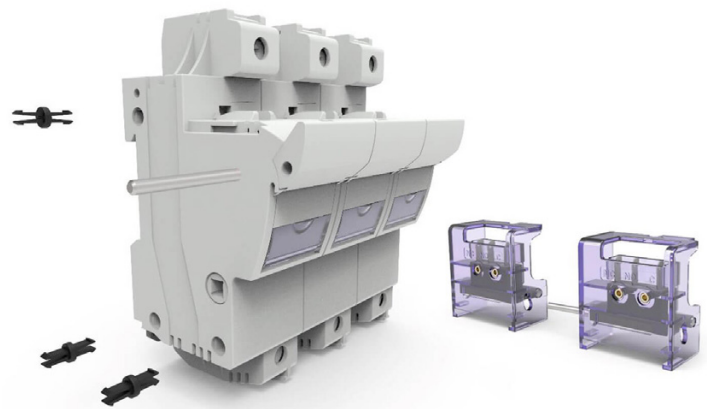


FIG. 2 | Identification by label

Open the label holder part with the fuse holder closed, put on the label and close it



Label measures **25x10mm**

Tightening torque on terminals	3,5...4 Nm 31...35 lb.in
Screws with a combined head	SLOT + PZ2
Multipolar assembly	► FIG. 1
Fuse holders with fuse indicator	NEON 230...690V AC LED 12...24V DC 30...60V DC
Fuse holders with microswitch 5A - 250V <small>Both versions delivered with 3 pre-insulated terminals (fast-on 2,8 x 0,5)</small>	NC(Normally closed) NO(Normally Open) contacts 1. Fusing + pre-breaking + fuse link detection 2. Only fusion - Only detection of fuse link operation - Also as accessory mounted on standard fuse holders
Special zone for sealing	1,5 mm <sup>2</sup> wire
Label holder for a better circuit identification	► FIG. 2 Suitable size for label: 25x10 mm
Accessory available to lock the fuse holder by a padlock	► FIG. 4 (max. 3 padlocks of Ø 3mm)

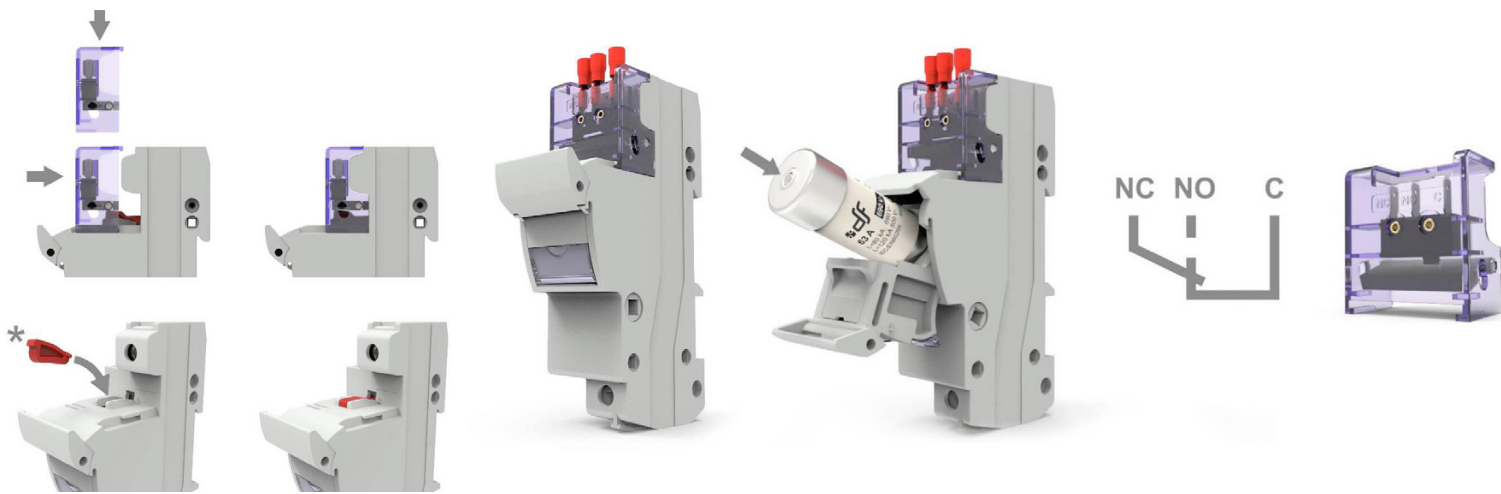


## Accessories

**FIG. 3 | Microswitch mounting**

Put on the microswitch on the guides, and push in horizontal movement to the final position.

\* For Only Fusion accessory, first mount the lifter in his place.



- 485359** 1P MICRO ONLY FUSION
- 485360** 3P MICRO ONLY FUSION
- 485361** 3P - DOUBLE MICRO ONLY FUSION
- 485362** 1P EXTENSION ONLY FUSION
- 485363** 3P EXTENSION ONLY FUSION

**FIG. 3.1 | Extension microswitch accessory**

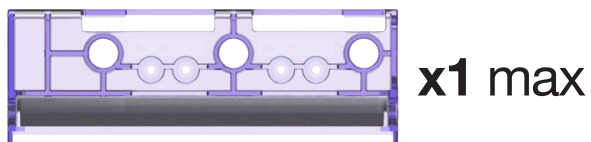
Number of multipolar assemblies allowed with extension accessory microswitch unipolar: **max 2**

**485362** MICRO 1P EXTENSION ONLY FUSION

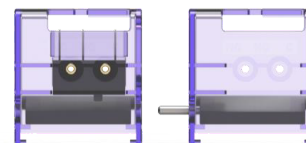


Number of multipolar assemblies allowed with extension accessory microswitch tripolar: **max 1**

**485363** MICRO 3P EXTENSION ONLY FUSION



### Accessory assembly

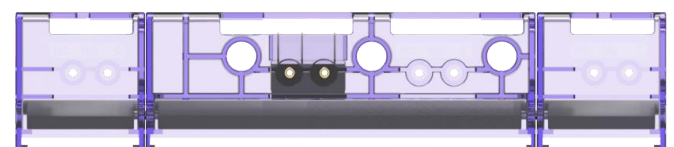
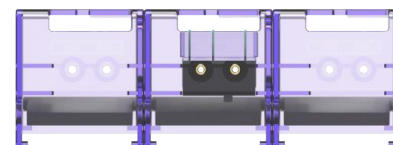


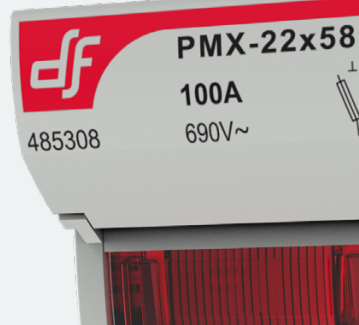
Microswitch

Extension accessory

### 2 Accessories assembly

Always one to each side of the microswitch





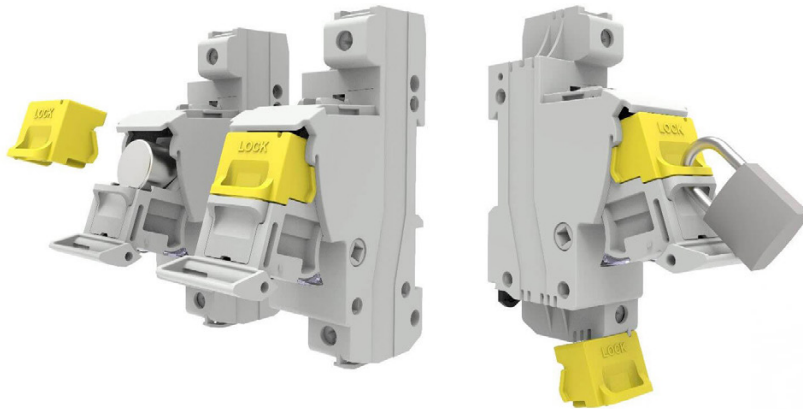
## Accessories

**FIG. 4 | Locking means a padlock**

To avoid the operation and connection when the fuse holder is open, put on the accessory "Padlock support" sliding it for the guides, and covering the fuse link zone.  
*(It's possible the use with or without fuse link)*

Introduce the padlock trough the symmetrical holes and close it.

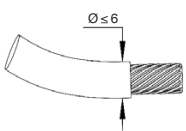
**485358** LOCK SUPPORT



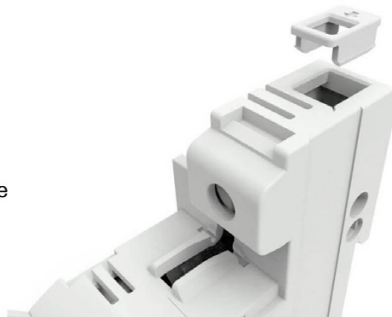
**FIG. 5 | Special IP20 protection**

The accessory must be positioned in the wire entries, if it's necessary to achieve the IP20 degree of protection with thin wires

**485366** SPECIAL IP20 PROTECTION ACCESSORY



To obtain an IP20 rating with cable protection of  $\varnothing \le 6$ mm, use the special protection accessory

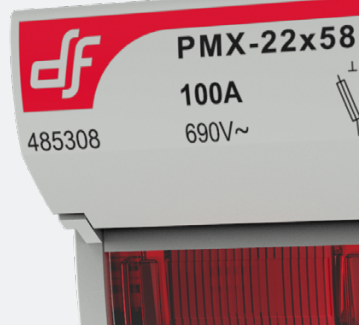


**FIG. 6 | Screws protection accessory**

Protection accessory to avoid the screws manipulation and improve the protection degree

**485371** SCREWS PROTECTION ACCESSORY

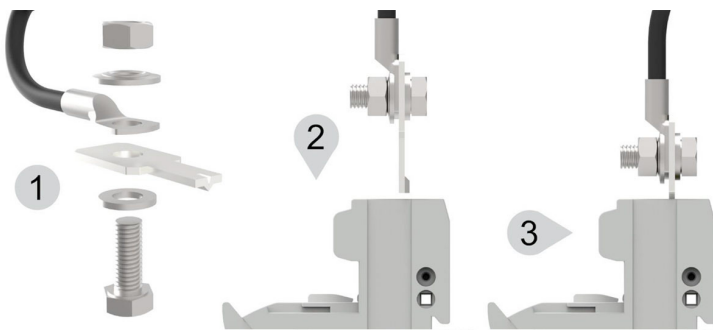




## Accessories

FIG. 8 | Special screw connection accessory

**485367** SPECIAL SCREW CONNECTION ACCESSORY



1

Mount the accessory in the wire (6Nm)

2

Wiring in the fuse holder

3

Apply tightening torque (2,5...3 Nm)

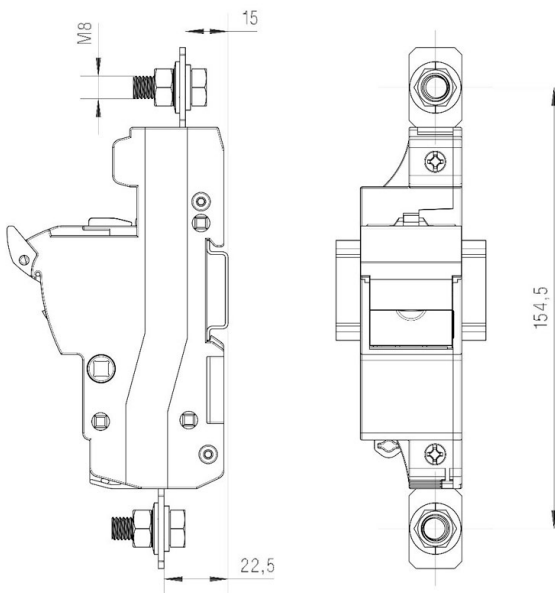


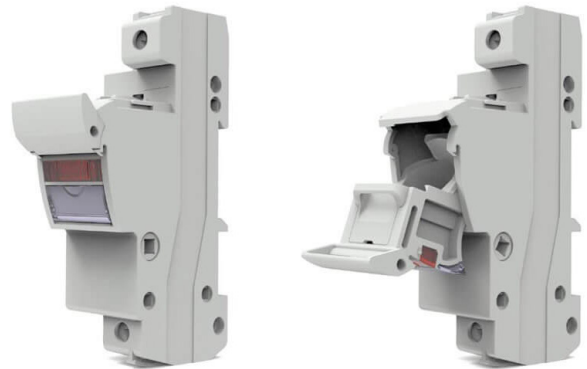
FIG. 9 | Fusing indicator replacement instructions

**485364** FUSING NEON INDICATOR REPLACEMENT 120/690V AC

**485365** FUSING INDICATOR REPLACEMENT 24 VDC

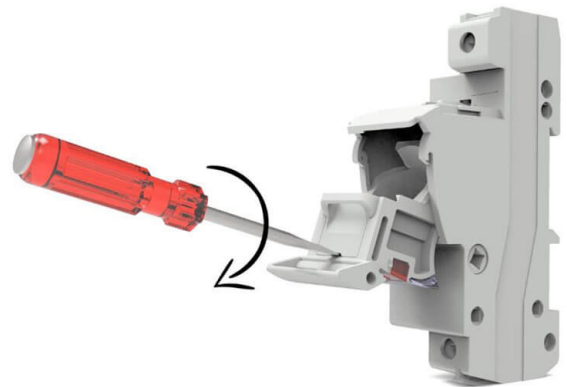
1

Open the fuse holder



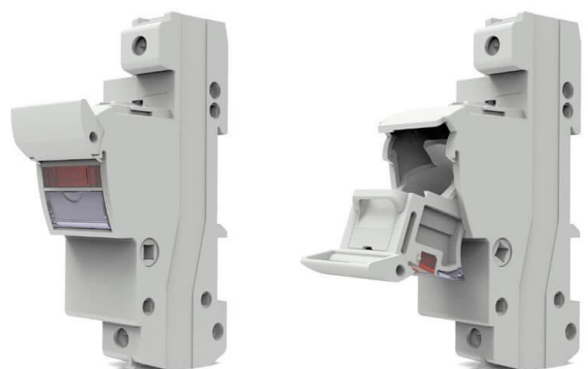
2

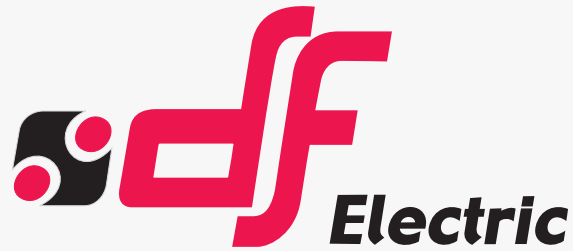
Using a flat screwdriver, remove the cover with a slight rotation of the tool



3

Replace the fusing indicator. Enter the cover on the handle with a slight angle





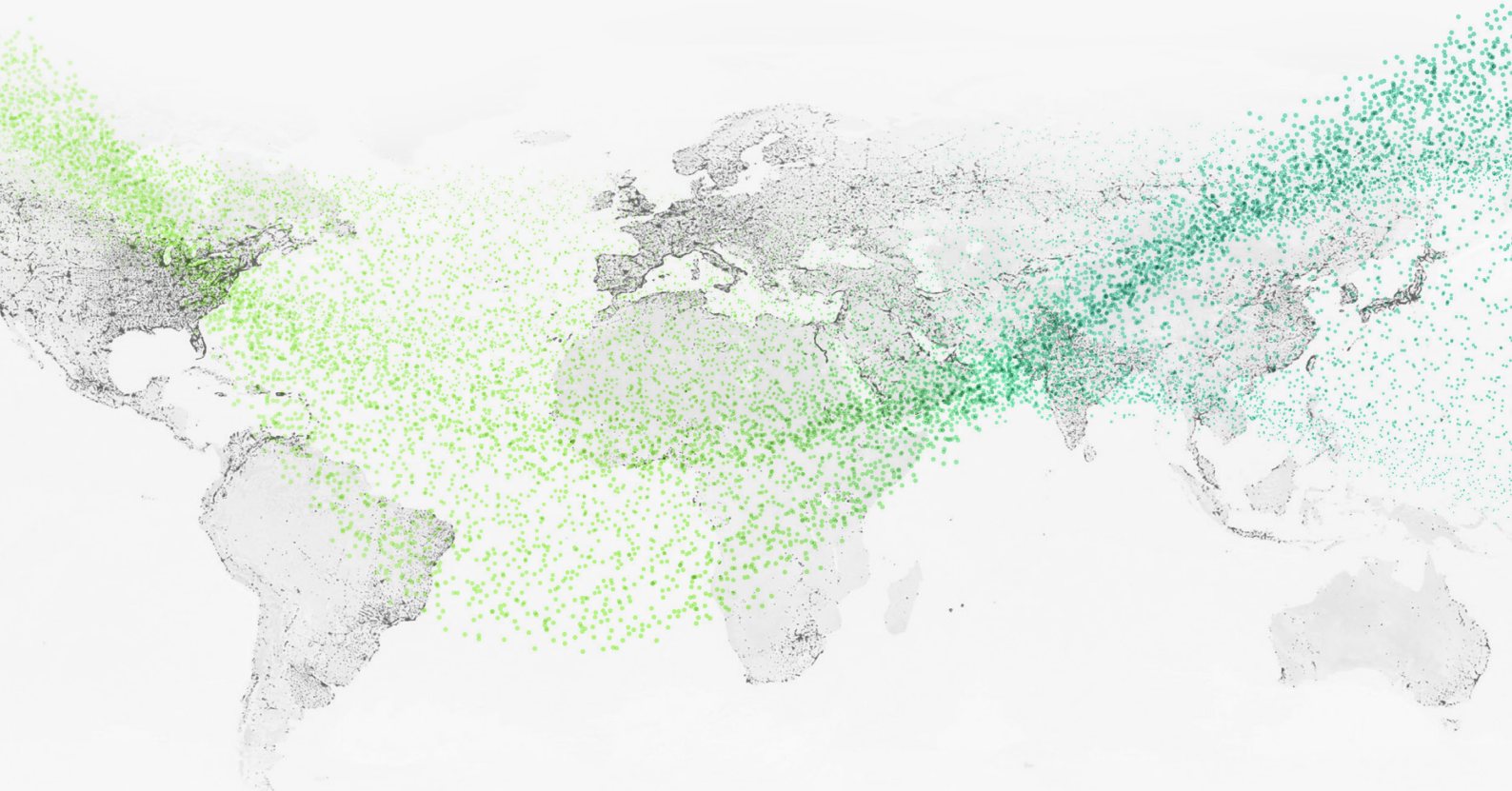
# PROTECTING THE WORLD



**HEAD OFFICE AND FACTORY**  
 SILICI, 67-69  
 08940 CORNELLA DE LLOBREGAT  
 BARCELONA · SPAIN  
 Tel. +34 93 377 85 85  
 Fax +34 93 377 82 82

**INTERNATIONAL SALES**  
 Tel. +34 93 475 08 64  
 Fax +34 93 480 07 75  
 export@dfelectric.es

**NATIONAL SALES**  
 Tel. 93 475 08 64  
 Fax 93 480 07 76  
 comercial@dfelectric.es



dfelectric.es



According to the waste of electrical and electronic equipment directive, electrical material should not be part of the usual waste. This symbol alerts users that these products should be recycled according to local environmental waste disposal regulations.



The "electro technical expert" logo marked on the products included in this data sheet indicates that the installation of these products must be carried out by expert personnel with specialized knowledge.



To prevent electrical hazards, carry out the installation without voltage.



**Safety notice**  
 Please capture the following QR code and read our safety notice carefully before installing our products.



The data reflected in this technical record are subject to the correct installation of the product in accordance with manufacturer's instructions, relevant installation standards and professional practices, maintained and used in applications for which they were made.

The products described in this document have been designed, developed and tested in accordance with specific standard. They are considered components that are integrated as part of installation, machine or equipment. The correct general operation of the referred product is responsibility of the manufacturer of the installation, machine or equipment.

DF ELECTRIC cannot guarantee the characteristics of an installation, machine or equipment that has been designed by a third party. Once a product has been selected, the user must verify that it is appropriate for its application, through the verifications and/or tests that it deems appropriate.

DF ELECTRIC retains the right to change the dimensions, specifications, materials or design of its products at any time with or without notice.

©2023 DF Electric. All rights reserved