

Product data sheet

Specifications



Regulated Power Supply, 100 to 240V AC, 24V, 3.8A, single phase, Optimized

ABLS1A24038

Product availability: Stock - Normally stocked in distribution facility

Price*: 160.00 USD

Main

Range of Product	Modicon Power Supply
Product or Component Type	Power supply
Power supply type	Regulated switch mode
Variant option	Optimized
Enclosure Material	Plastic
Nominal input voltage	100...240 V AC single phase 100...240 V AC phase to phase
Kw Rating	91.2 W
Output voltage	24 V DC
Power supply output current	3.8 A

Complementary

Efficiency at full load	85...264 V AC
Nominal network frequency	50...60 Hz
Network system compatibility	TN TT IT
Maximum leakage current	1 mA 240 V AC
Input protection type	Integrated fuse (not interchangeable) 3.15 A External protection (recommended) 20 A Curve C External protection (recommended) 10 A Curve B External protection (recommended) 6 A Curve C
Inrush current	45.0 A 115 V 70.0 A 230 V
Power factor	0.90 at 115 V AC 0.85 at 230 V AC
Efficiency	87 % 115 V AC 89 % 230 V AC
Output voltage adjustment	24 V
Power dissipation in W	13 W
Current consumption	< 1.2 A 115 V AC < 0.6 A 230 V AC
Turn-on time	< 3 s
Holding time	> 20 ms 100 V AC > 50 ms 230 V AC

Price is "List Price" and may be subject to a trade discount – check with your local distributor or retailer for actual price.

Startup with capacitive loads	3000 µF
Residual ripple	< 75 mV
Meantime between failure [MTBF]	1500000 h at 77 °F (25 °C), full load conforming to SR 332 600000 h at 131 °F (55 °C), 80 % load conforming to SR 332
Output protection type	Against overload and short-circuits, protection technology: automatic reset Against over temperature, protection technology: manual reset Against overvoltage, protection technology: manual reset
Connections - terminals	Screw connection 0.5...2.5 mm ² , AWG 20...AWG 14) input/output
Line and load regulation	< 1 % network 0 to 100 % load at 77 °F (25 °C) < 2 % network full voltage range in line at 77 °F (25 °C)
Status LED	1 LED (Green) output voltage
Depth	3.9 in (100 mm)
Height	3.0 in (75 mm)
Width	1.8 in (45 mm)
Product Weight	0.717 lb(US) (0.325 kg)
Output coupling	Serial
Mounting support	Top hat type TH35-15 rail IEC 60715 Top hat type TH35-7.5 rail IEC 60715 Double-profile DIN rail
Supply	SELV IEC 60950-1 SELV IEC 60204-1 SELV IEC 60364-4-41
Dielectric strength	3000 V AC with input to output
Service life	10 year(s)
overvoltage category	II

Environment

Standards	IEC 62368-1 EN/IEC 61204-3 IEC 61000-6-1 IEC 61000-6-2 IEC 61000-6-3 IEC 61000-6-4 IEC 61000-3-2 EN 61000-3-3 UL 62368-1 CSA C22.2 No 62368-1 UL 508 CSA C22.2 No. 107.1 EN/IEC 62368-1
Product certifications	CE CUL Listed CUL Recognized RCM CB Scheme EAC KC NEC class 2
Operating altitude	< 6561.68 ft (2000 m)
Shock resistance	150 m/s ² 11 ms
IP degree of protection	IP20
Ambient air temperature for operation	-4...14 °F (-20...-10 °C) with current derating of 2 % per °C mounting position A < 6561.68 ft (2000 m) 14...131 °F (-10...55 °C) without derating mounting position A < 6561.68 ft (2000 m) 131...158 °F (55...70 °C) with current derating of 3.33 % per °C mounting position A < 6561.68 ft (2000 m)

Electrical shock protection class	Class I
pollution degree	2
Vibration resistance	3 mm (f= 2...9 Hz) conforming to IEC 60068-2-6 10 m/s ² (f= 9...200 Hz) conforming to IEC 60068-2-6
Electromagnetic immunity	Immunity to electrostatic discharge - test level: 8 kV (contact discharge) conforming to IEC 61000-4-2 Immunity to electrostatic discharge - test level: 15 kV (air discharge) conforming to IEC 61000-4-2 Immunity to conducted RF disturbances - test level: 15 V/m (80 MHz...2 GHz) conforming to IEC 61000-4-3 Immunity to conducted RF disturbances - test level: 5 V/m (2...2.7 GHz) conforming to IEC 61000-4-3 Immunity to conducted RF disturbances - test level: 5 V/m (2.7...6 GHz) conforming to IEC 61000-4-3 Immunity to fast transients - test level: 4 kV (on input-output) conforming to IEC 61000-4-4 Surge immunity test - test level: 4 kV (between power supply and earth) conforming to IEC 61000-4-5 Surge immunity test - test level: 3 kV (between phases) conforming to IEC 61000-4-5 Immunity to conducted RF disturbances - test level: 15 V (0.15...80 MHz) conforming to IEC 61000-4-6 Immunity to magnetic fields - test level: 30 A/m (50...60 Hz) conforming to IEC 61000-4-8 Immunity to voltage dips conforming to IEC 61000-4-11 Disturbing field emission conforming to EN 55016-2-3 Limits for harmonic current emissions conforming to IEC 61000-3-2 conforming to EN 55016-1-2 conforming to EN 55016-2-1
Electromagnetic emission	Conducted emissions IEC 61000-6-3 Radiated emissions IEC 61000-6-4

Ordering and shipping details

Category	US1CP1222525
Discount Schedule	CP12
GTIN	3606481500212
Returnability	Yes
Country of origin	SG

Packing Units

Unit Type of Package 1	PCE
Number of Units in Package 1	1
Package 1 Height	2.07 in (5.25 cm)
Package 1 Width	3.39 in (8.6 cm)
Package 1 Length	4.69 in (11.9 cm)
Package 1 Weight	13.2 oz (374.0 g)
Unit Type of Package 2	S02
Number of Units in Package 2	21
Package 2 Height	5.91 in (15.0 cm)
Package 2 Width	11.81 in (30.0 cm)
Package 2 Length	15.75 in (40.0 cm)
Package 2 Weight	18.071 lb(US) (8.197 kg)



Environmental Data

Schneider Electric aims to achieve Net Zero status by 2050 through supply chain partnerships, lower impact materials, and circularity via our ongoing “Use Better, Use Longer, Use Again” campaign to extend product lifetimes and recyclability.

[Environmental Data explained >](#)

[How we assess product sustainability >](#)

Environmental footprint

Carbon footprint (kg CO2 eq, Total Life cycle) 565

Environmental Disclosure [Product Environmental Profile](#)

Use Better

Materials and Substances

Packaging made with recycled cardboard No

Packaging without single use plastic No

EU RoHS Directive Pro-active compliance (Product out of EU RoHS legal scope)

SCIP Number 86cefe39-f12b-4dc7-bf4d-ccd095c653fe

REACH Regulation [REACH Declaration](#)


China RoHS Regulation [China RoHS declaration](#)

California proposition 65 **WARNING:** This product can expose you to chemicals including: Lead and lead compounds, which is known to the State of California to cause cancer and birth defects or other reproductive harm. For more information go to www.P65Warnings.ca.gov

Use Again

Repack and remanufacture

Circularity Profile [End of Life Information](#)

WEEE  The product must be disposed on European Union markets following specific waste collection and never end up in rubbish bins.

Take-back No

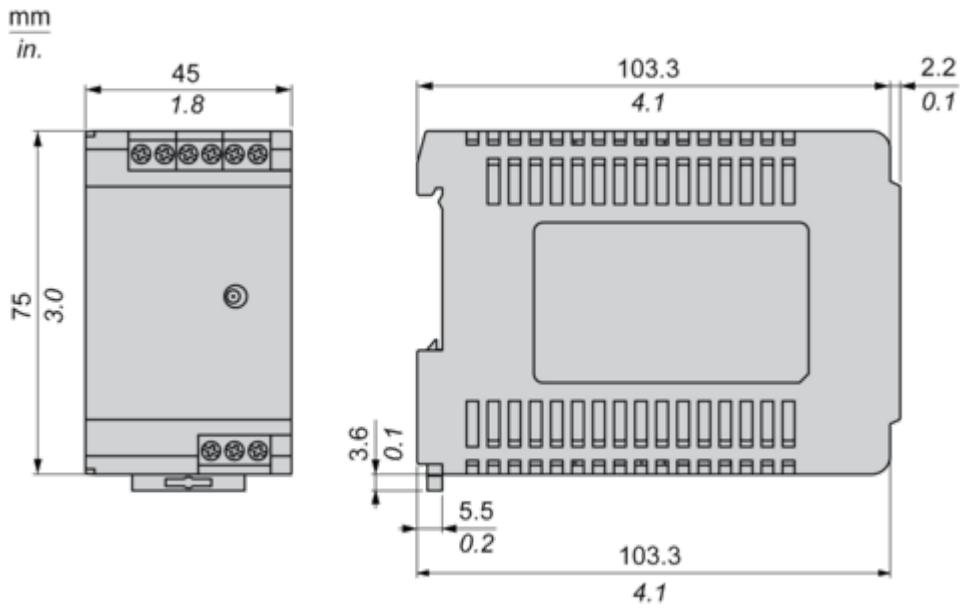
Dimensions Drawings

Electrical Safety

- If the unit is use in a manner not specified by the manufacturer, the protection provided by the equipment may be impaired.
- For means of disconnection a switch or circuit breaker, located near the product, must be included in the installation. A marking as disconnecting device for the product is required.
- The device has an internal fuse. The unit is tested and approved with branch circuit protective device up to 20A. This circuit breaker can be used as disconnecting device.
- The power supply is only suitable for audio, video, information, communication, industrial and control equipment.

Dimensions

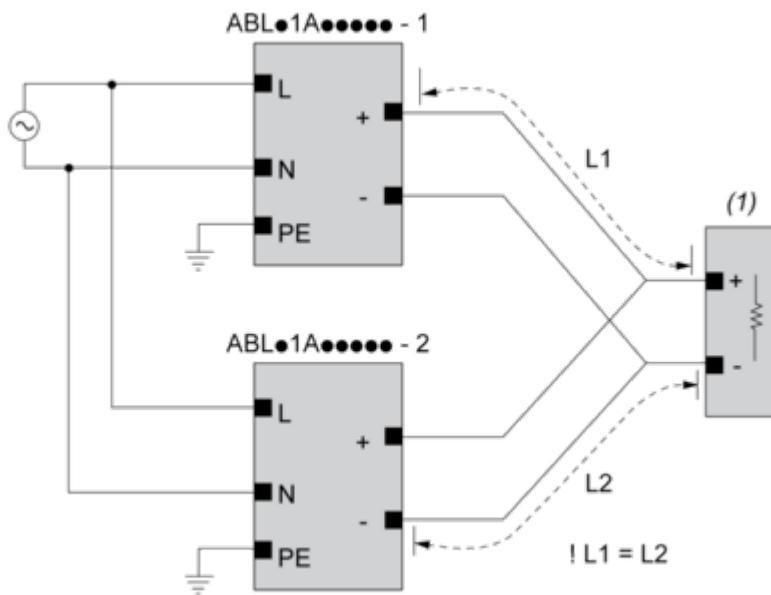
Front and Side Views



Connections and Schema

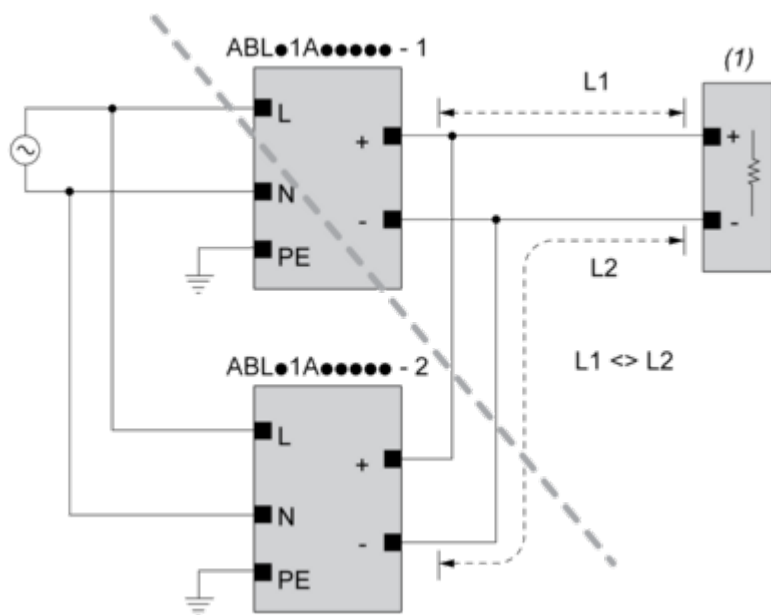
Connections and Schema

Correct Parallel Connection



(1) : Load

Incorrect Parallel Connection



(1) : Load

ABLx1Axxxxx-1 = ABLx1Axxxxx-2

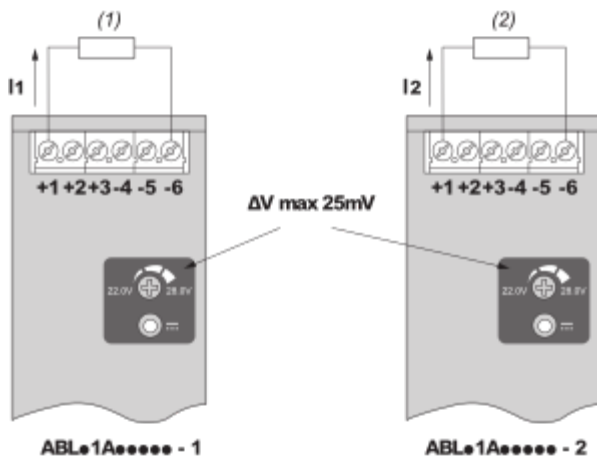
max 2 x ABLx1Axxxxx

$L1 = L2$

$\Delta V \text{ max } 25 \text{ mV}$

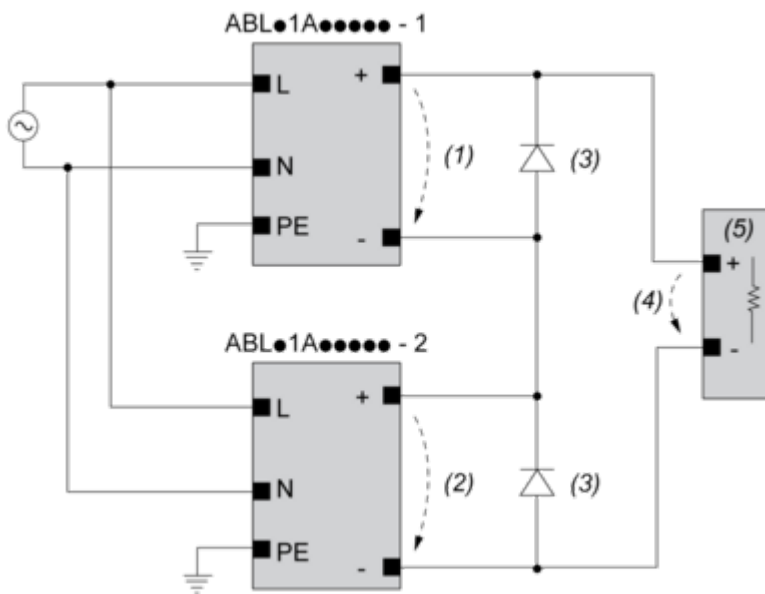
$I_{Load} < 90\% \cdot 2 \times I_{nom}$

Output Voltage Balancing



- (1) : R_{Load1}
- (2) : R_{Load2}
- $R_{Load1} = R_{Load2}$
- $I_1 = I_2 = \sim I_{nom}$

Series Connection



- (1) : V_{out1}
- (2) : V_{out2}
- (3) : $2 \times \text{Diode}, V_{RRM} > 2 \times V_{out1/2}, I_F > 2 \times I_{nom1/2}$
- (4) : $V_{Load} = 2 \times V_{out}$
- (5) : Load

Connections and Schema

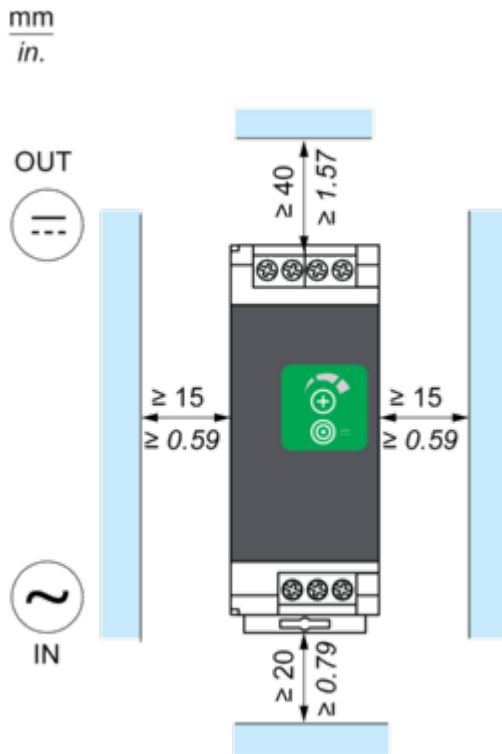
	(1)		
	<40°C	<50°C	<70°C
ABLS1A24021	50°C	60°C	75°C
ABLS1A24038	50°C	60°C	75°C
ABLS1A12062	50°C	60°C	80°C
ABLS1A24031	50°C	60°C	80°C
ABLS1A12100	60°C	70°C	90°C
ABLS1A24050	60°C	70°C	90°C
ABLS1A48025	60°C	70°C	90°C
ABLS1A24100	60°C	70°C	90°C
ABLS1A24200	95°C	95°C	90°C

(1) : Ambient

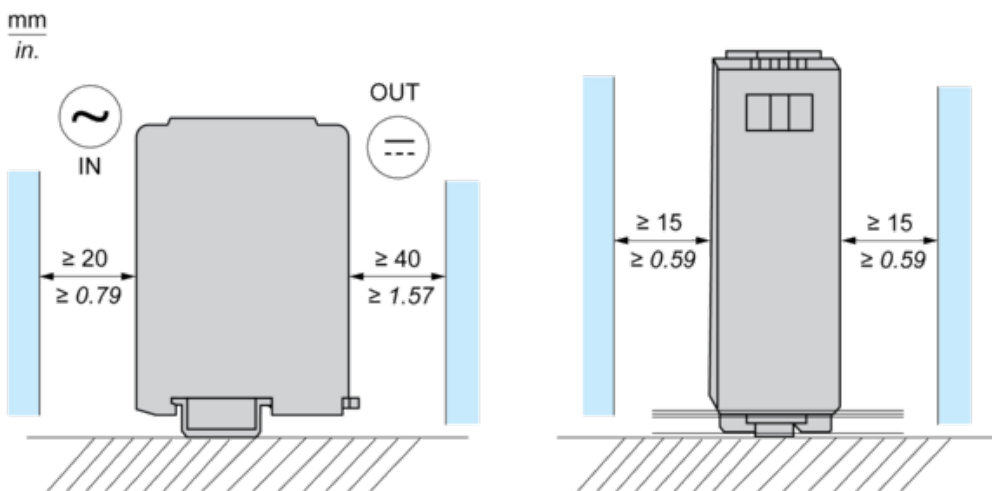
Mounting and Clearance

Mounting

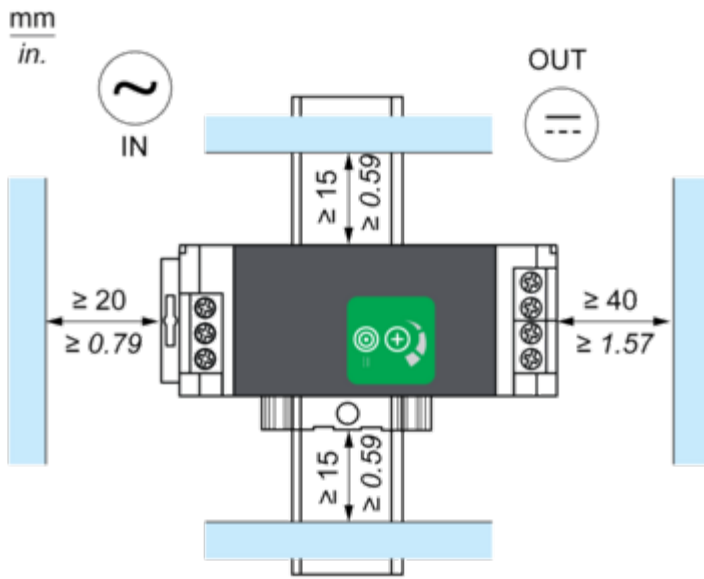
Mounting Position A



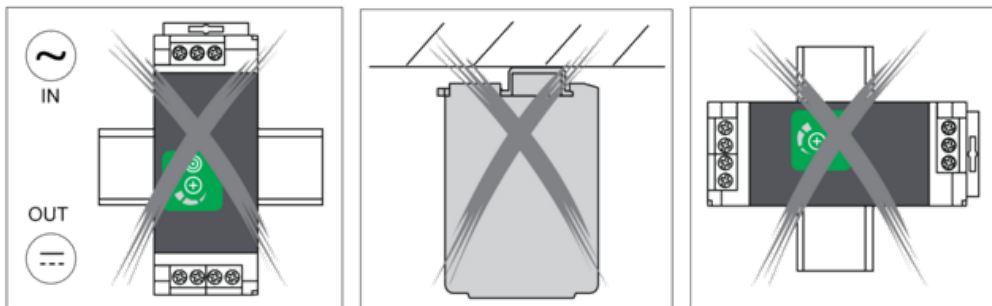
Mounting Position B



Mounting Position C

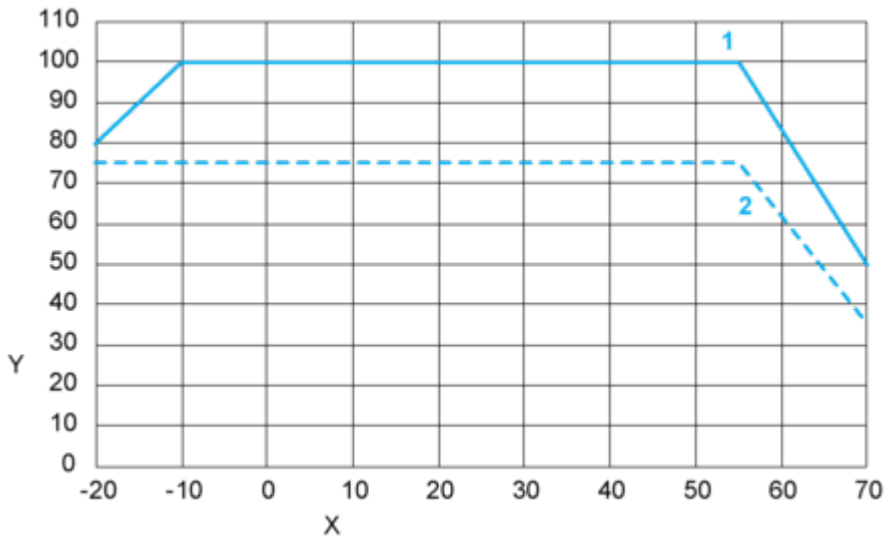


Incorrect Mounting



Performance Curves

Performance Curve



X : Surrounding Air Temperature (°C)
Y : Percentage of Maximum Load (%)
1 : Position A
2 : Position B + C
Note : Altitude ≤ 2000 m (6561 ft)